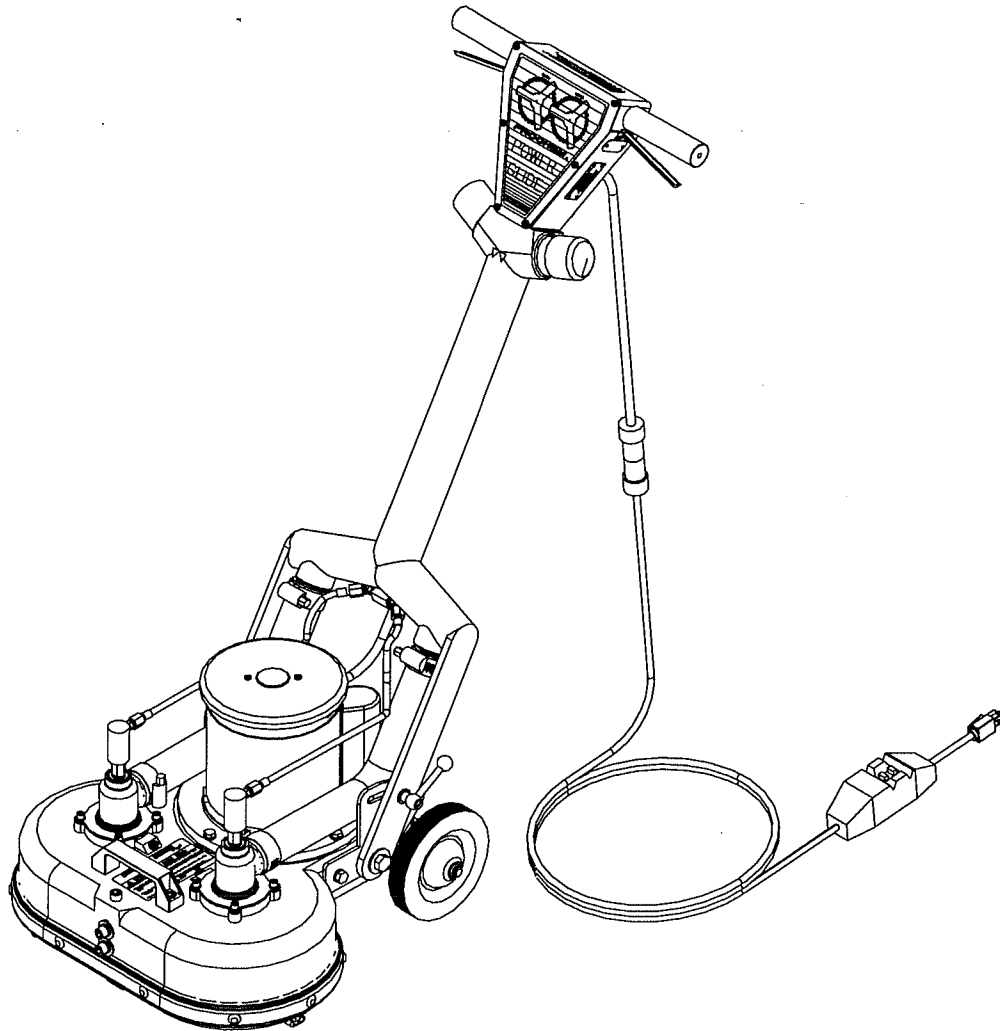


# *PROCHEM*

# *POWER GLIDE*



November 2001

## **INSTRUCTION MANUAL & PARTS LISTING**

*Welcome*...and congratulations on your purchase of the **POWER GLIDE Cleaning Tool**. This instruction manual is a guide for operating and servicing your Prochem Power Glide. **Read this manual completely before operating this unit.**

Proper operation and service are essential to the efficient functioning of this tool. When maintained correctly, this unit will have a long, trouble-free life.

The service methods described in this manual are explained in such a manner that servicing may be performed accurately and safely. Proper service varies with the choice of procedure, the skill of the mechanic, and the tools or parts available. Before attempting any repair, make certain that you are thoroughly familiar with this equipment and equipped with the proper tools. Any questions pertaining to operating or servicing this unit should be directed to your nearest PROCHEM distributor.

The headings: **CAUTION** or **WARNING** are used to warn you that steps must be taken to prevent damage to the unit and/or personal injury. Make certain that you read all instructions entirely before proceeding with the operation of this tool.

**MAKE CERTAIN THAT THE WARRANTY CARD IS FILLED OUT BY THE DISTRIBUTOR FROM WHOM YOU PURCHASED THIS UNIT AND RETURNED TO PROCHEM!**

Please record your unit serial number in the box below for future reference.

This operation manual is written specifically for the **PROCHEM POWER GLIDE CLEANING TOOL** which is manufactured by:

PROFESSIONAL CHEMICALS CORPORATION  
325 SOUTH PRICE ROAD  
CHANDLER, ARIZONA 85224

Information in this document is subject to change without notice and does not represent a commitment on the part of Professional Chemicals Corporation.

All rights reserved. Copyright ©1997 by **Professional Chemicals Corporation**. No part of this work may be reproduced or used in any form or by any means - graphic, electronic, photocopying, taping, or electronic retrieval systems - without the express written permission of Professional Chemicals Corporation.

Published by Professional Chemicals Corporation.

Fifth printing: November 2001  
Printed in USA

POWER GLIDE MANUAL  
**# 67-945371**

---

# LIMITED WARRANTY

---

PROCHEM warrants your machine to be free of defects in material and workmanship. This warranty shall extend to the designated parts for the specific time period listed from the date of delivery to the user. If PROCHEM receives notice of such defects during the warranty period, PROCHEM will either, at its option, repair or replace products which prove to be defective. Any local or distant transportation, related service labor and diagnostic calls are not included.

Motor	_____	1 year
Swivel-Union	_____	1 year
Planetary Gearbox	_____	1 year
All Other Components	_____	1 year

Spray Tips, Wheels, Bearings, Seals and other maintenance items are not covered under warranty.

This warranty shall not apply to defects resulting from improper operation, inadequate maintenance by the customer, unauthorized modification, misuse, or a unit that is improperly repaired.

To obtain warranty service, products must be returned to a service facility designated by PROCHEM. Customer shall prepay shipping charges for products returned to PROCHEM for warranty service and PROCHEM shall pay for return of the products to customer.

PROCHEM makes no other warranty, either expressed or implied, with respect to this product. PROCHEM disclaims the implied warranties of merchantability and fitness for a particular purpose. Any implied warranty of merchantability or fitness is limited to the specific duration of this limited warranty.

This warranty gives you specific legal rights, and you may also have other rights which may vary from state to state, or province to province.

The remedies provided herein are the customer's sole and exclusive remedies. In no event shall PROCHEM be liable for any direct, indirect, special, incidental, or consequential damages, whether based on contract, tort, or any other legal theory.

Your PROCHEM unit is designed to give you years of reliable service. However, if a problem should arise after the warranty period, follow the troubleshooting procedures in the Operation and Service Manual. If you are still unable to determine the cause and solution to the problem, contact your nearest PROCHEM Service Center for details of the services available.

Components provided by PROCHEM, but supplied by other manufacturers, will only be warranted to the extent that they shall be warranted to PROCHEM.

# TABLE OF CONTENTS

## SECTION ONE: GENERAL INFORMATION

SAFETY	2
SPECIFICATIONS	5
ELECTRICAL REQUIREMENTS	5
UNIT OPERATION	5
CHEMICAL REQUIREMENTS	6
WATER REQUIREMENTS	6

## SECTION TWO: SET-UP & OPERATION

RECEIVING YOUR UNIT	8
PREPARATION & SET-UP	8
OPERATING TIPS & PROCEDURES	10

## SECTION THREE: ROUTINE MAINTENANCE

DAILY MAINTENANCE	13
VACUUM HEADS	14

## SECTION FOUR: TROUBLESHOOTING

TROUBLESHOOTING	16
-----------------	----

## SECTION FIVE: ILLUSTRATIVE PARTS LISTING

PARTS BREAKDOWN, WIRING DIAGRAM	A-1-A-10
---------------------------------	----------

# **SECTION 1: GENERAL INFORMATION**


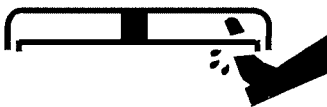
<b>SAFETY</b>	<b>2</b>
<b>SPECIFICATIONS</b>	<b>5</b>
<b>ELECTRICAL REQUIREMENTS</b>	<b>5</b>
<b>UNIT OPERATION</b>	<b>5</b>
<b>CHEMICAL REQUIREMENTS</b>	<b>6</b>
<b>WATER REQUIREMENTS</b>	<b>6</b>

# SAFETY:



## WARNING: FOR YOUR SAFETY!

The following **WARNING LABELS** are found on your Power Glide Tool. These labels point out important **Warnings** and **Cautions**, which should be followed at **all** times. Failure to follow warnings and cautions could result in fatality, personal injury to yourself and/or others, or property damage. Follow these instructions carefully! **DO NOT** remove these labels.

**WARNING: To Avoid Injury**

**Rotating parts can cause severe injury and cut off hands or feet.**

- Keep hands and feet away from under tool and away from rotating parts.
- Keep all safety devices and shields in place.
- Read and follow operator's manual.
- Disconnect this tool from high pressure hose and unplug power cord before servicing or making repairs.
- Keep bystanders away from this unit.
- Water under high pressure and temperature can cause severe injury or burns.

Part #48-941260  
Decal, Rotating Head

**CAUTION**

USE ONLY 50 FOOT 14 GAUGE UL APPROVED OUTDOOR POWER EXTENSION CORD WITH A GROUND FAULT INTERRUPTER.

USING ANY OTHER LENGTH OR RATING OF CORD WILL DIMINISH THE PERFORMANCE AND POSSIBLY THE LIFE OF THE ELECTRIC MOTOR.

Part #48-941259  
Decal, GFI Plug



**This symbol means WARNING or CAUTION. Failure to follow warnings and cautions could result in fatality, personal injury to yourself and/or others, or property damage. Follow these instructions carefully!**



## **WARNING!**

**Read the operator's manual before using this unit.** Failure to adhere to instructions can result in severe personal injury or could be fatal.

We can not anticipate every possible circumstance that might involve potential hazard. The warnings and cautions in this manual are therefore not all inclusive. If an operating or maintenance procedure not specifically re-commended is used, you must satisfy yourself that it is safe for you and other persons. You must also ensure that the tool will not be damaged or be made unsafe by the procedure you are using.

1. **NEVER** put hands or fingers over the spray jet(s) while in operation.
2. **NEVER** attempt to stop the rotating heads with your hands or any other object.
3. **NEVER** tip the Power Glide backwards while in use.
4. **NEVER** attempt machine repairs or adjustments while machine is connected to power.
5. **NEVER** alter or modify this equipment! Your personal safety as well as the safety of other persons is at stake.
6. **NEVER** use any caustic chemicals or solvents as serious damage to the rotating

unions may result. If chemicals are used, a thorough flushing with clean waters should immediately follow.

7. **NEVER** attempt to push machine over hose while heads are spinning.
8. **NEVER** leave an operating machine unattended. Always shut off the machine and relieve pressure before leaving the machine.
9. **DISCONNECT** this tool from high-pressure hose and unplug power cord before servicing or making any repairs.
10. **DO NOT** attempt repairs or modifications you do not understand. Contact your servicing dealer or service center.
11. **NEVER** exceed the factory pressure or temperature rating of the Power Glide.
12. **NEVER** operate the Power Glide with different orifice size spray jets.
13. **NEVER** operate the Power Glide if one or more spray jets are plugged or if spray tubes are damaged.
14. **NEVER** allow the Power Glide to operate in one spot for extended lengths of time. Damage to the surface may occur.

## **PRESSURE HOSES**

**DO NOT** route hose in a manner that will cause sharp bending, kinking, cutting, abrasions or other exterior damage.

**DO NOT** use the hose if cuts, leaks, abrasions, bulges or coupling damage is evident.

**DO NOT** attempt field repairs through an unauthorized hydraulic hose repair shop. Special couplings and crimping specifications are required for steam and high-pressure hoses.

**ALWAYS** examine hose couplings and quick disconnect before each operation. If leaking is evident, **do not** use.

## **ELECTRICAL CONNECTIONS**

**DO NOT** use an extension cord to connect the ground fault interrupter to the power receptacle.

**DO NOT** remove the ground prong from your power cord.

**DO NOT** operate this unit if the power cord is damaged in any manner. This could result in serious injury or fatality.



## SPECIFICATIONS:

BASE HEIGHT:	13-3/4"
OVERALL HEIGHT (in vertical position):	44-1/2"
WIDTH (base):	19"
LENGTH (front to back of wheels):	20-1/4"
WEIGHT (with power cord):	98 lbs.
ELECTRIC MOTOR:	0.6 HP, 1725 RPM
ELECTRICAL REQUIREMENTS:	120Volt, 60Hz, 6.5 amps
GEAR OUTPUT:	156 RPM
SPRAY TIPS:	110015 V-Jet Stainless (4)
VALVE CAPACITY:	1000 PSI

### ELECTRICAL REQUIREMENTS

The Power Glide Tool requires a 3 prong, 120 volt, 15 amp electrical outlet. This tool is equipped with a built-in ground fault interrupter.



#### WARNING:

**DO NOT** remove the ground prong from the unit's power cord. This could result in serious injury or fatality. **DO NOT** use an extension cord with this power cord.

**DO NOT** operate this unit if the power cords or motor are damaged in any manner. This could result in serious injury or fatality.

### UNIT OPERATION

The Power Glide's electric motor drives its precision gears, which drive the six cleaning heads. High pressure cleaning solution is injected through two manifolds and sprayed out through four tips. The solution and debris is then extracted through six cleaning heads into your cleaning unit's waste tank.

The Power Glide cleaning heads make a combined total of 936 cleaning passes per minute.

The solution temperature, pressure, and vacuum will depend on the type of cleaning unit you are using in conjunction with this unit. We recommend using the line of Prochem Cleaning Units for optimal results.

### CHEMICAL REQUIREMENTS

The Power Glide can be used with a variety of water-diluted chemical compounds (either acid or alkaline), depending on the job to be done. However, to obtain optimum results with this tool, we recommend using the **PROCHEM** line of chemicals. For information on using the cleaning compounds, refer to the **PROCHEM** chemical manual.



#### CAUTION:

**NEVER** use a solvent or petroleum based cleaning compound in the operation of this unit. They can cause severe damage to integral parts of the unit.

### WATER REQUIREMENTS

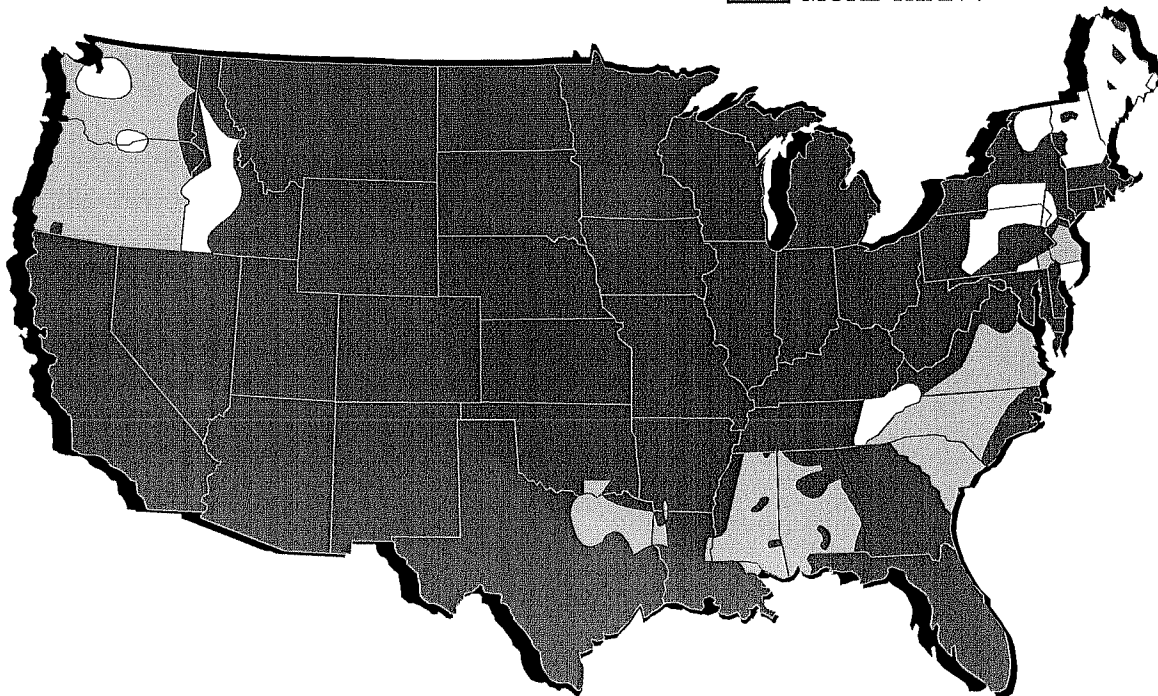
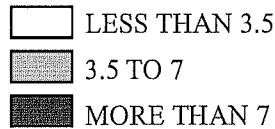
If the machine you are operating this unit with is in an area where the water hardness exceeds five (5) grains (85 parts per million), we highly recommend a suitable water softener be installed with a 10 – 20 micron filter. If using a water softener, it must have an adequate flow capacity without any hose constrictions. The map on this page will give you an idea of where areas of high water hardness may occur.



#### NOTE:

**Equipment malfunction or component failure caused by hard water scaling is NOT covered under the warranty.**

**Figure 1 HARD WATER MAP**



# **SECTION 2: SET-UP AND OPERATION**

**RECEIVING YOUR UNIT \_\_\_\_\_ 8**

**PREPARATION & SET-UP \_\_\_\_\_ 8**

**OPERATING TIPS & PROCEDURES \_\_\_\_\_ 10**

**RECEIVING YOUR UNIT**

Every part of your Power Glide unit was carefully checked, tested, and inspected before it left the manufacturing plant. Upon receiving the unit, examine the shipping carton and the machine carefully for any hidden damage that may have occurred during shipping. Claims for damage or shortage should be filed immediately with the contract carrier. Remove all loose parts and strapping which were attached to the unit for shipping purposes.

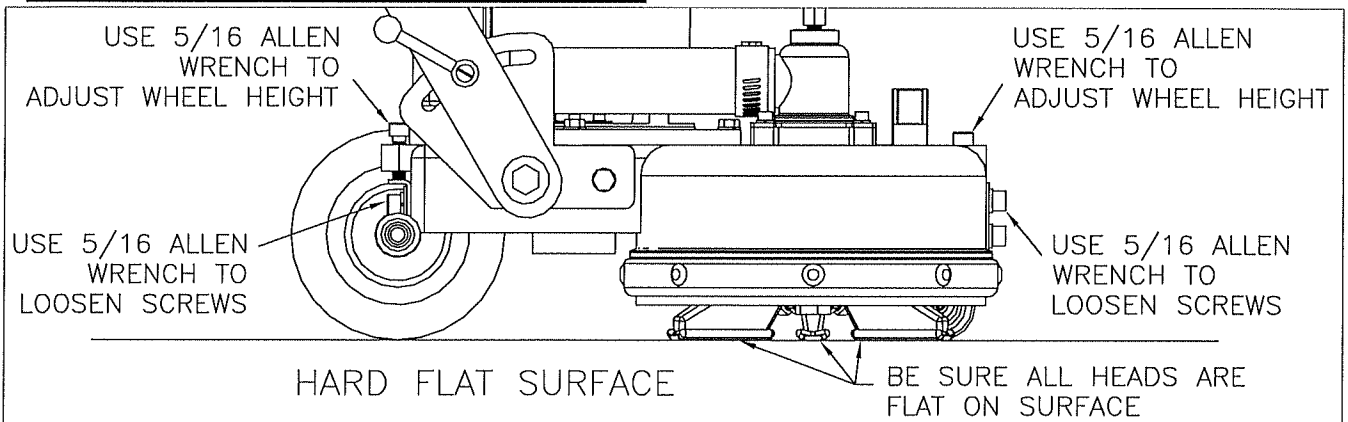
**PREPARATION**

**Wheel Height Adjustment:**

Place the unit on a flat hard surface. Adjust the wheels so that the 6 vacuum inlets on the two heads are setting flat on the surface. See illustration below.

Using the 5/16 Allen wrench supplied, loosen the screws holding the wheel bracket in place and adjust the height by turning the adjustment screws clockwise to increase the height and counter-clockwise to lower the height. When adjustment is complete, re-tighten the screws. This setting will work good on about all types of carpet.

**WHEEL HEIGHT ADJUSTMENT**



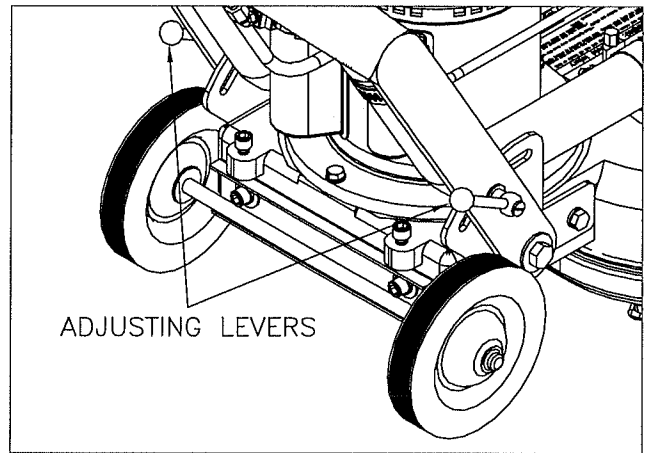
**Handle Adjustment:**

The height of the Power Glide handle may be adjusted to a comfortable position. To accomplish this, loosen the adjusting levers by pushing them downward. After positioning the handle at a comfortable height, tighten the adjusting levers by pulling them upward into locking position.

Every operator will have an ideal position for the tool handle that is most comfortable for them. Finding a comfortable position will reduce operator fatigue and make the work easier.

If a wheel is interfering with the positioning of either of the adjusting levers, re-positioning the lever is easy. Push the adjusting lever in toward the handle and rotate the lever to a better angle. When the desired angle is reached, let go of the lever and a spring return will lock the lever into its new position.

**HANDLE ADJUSTMENT**



**Hose Connection:**

The Power Glide Tool is equipped with a 1/4" male quick connect for high-pressure hose attachment. The vacuum hose hookup is for 2" I.D. vacuum hose. Attach your vacuum and high pressure hoses to the tool.

**Electrical Connection:**

The Power Glide Tool is equipped with a 50 foot three prong electrical cord with a built-in ground fault interrupter. Connect the power cord to the unit then plug the power cord into a 120 volt grounded electrical outlet.

**WARNING:**

**DO NOT** use an extension cord to connect the ground fault circuit interrupter to the power receptacle. **DO NOT** remove the ground prong from your power cord. **DO NOT** operate this unit if the power cord is damaged in any manner. This could result in serious injury or fatality.

**WARNING:**

**The ground fault interrupter must be tested before each use.**

1. Plug the ground fault interrupter into a corresponding power receptacle prior to connecting to the unit.
2. Press and release the RESET button.
3. Verify that the power off indicator is not visible. This is a red band on the reset button, which is visible through a clear button cover when the interrupter is tripped.
4. Press the TEST button. Power off indicator should appear through the clear button cover.
5. Press and release the RESET button.

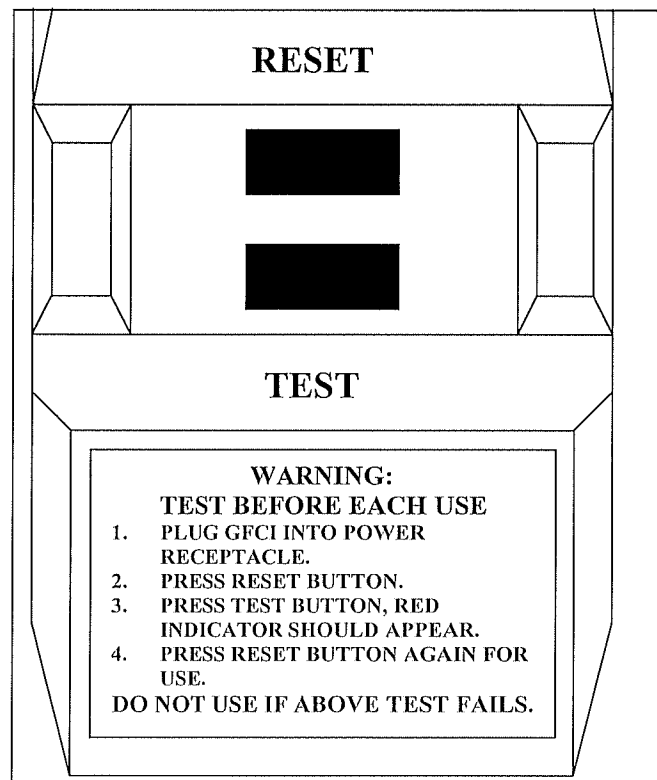
**WARNING:**

**If the ground fault circuit interrupter fails to trip when the test button is pressed or fails to reset, the GFCI is defective and needs to be replaced.**

6. Connect the unit to the ground fault interrupter, be sure the lever on the unit is in the "OFF" position, once connected, you can operate the unit normally.

**WARNING:**

**If the ground fault circuit interrupter tests properly when connected into a corresponding power receptacle, but trips each time the unit is connected, there is probability that the unit has a ground fault and needs to be repaired. DO NOT** bypass the GFCI if this condition occurs. A serious shock hazard may exist.

**GROUND FAULT INTERRUPTER**

## OPERATION

### Machine Settings:

Set the operating pressure on the machine to 500-600 PSI.

**DO NOT** operate the Power Glide with water pressure more than 1000 PSI.

**DO NOT** operate the Power Glide with water temperatures more than 240° F.

### Instrumentation:

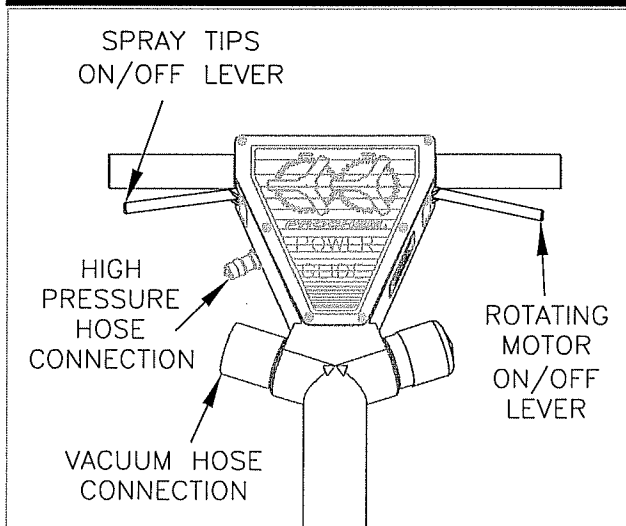
The Power Glide Cleaning Tool is controlled by two levers underneath both handles.

The lever on your left-hand side controls the electric motor, which drives the cleaning heads.

The lever on your right hand side triggers the four spray tips.

The six vacuum heads are constantly extracting while your cleaning unit is running.

## INSTRUMENTATION

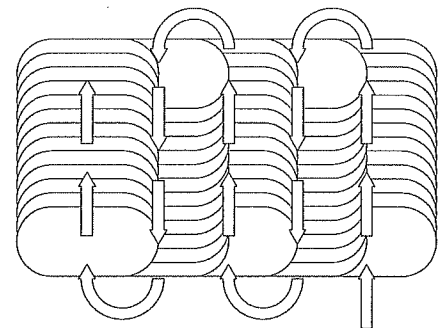


### Cleaning:

Your Power Glide Cleaning Tool is capable of maneuvering in any direction.

We recommend using a cleaning motion similar to that when using a vacuum cleaner with a half overlap of the previous path. This will clean the carpet fibers in both directions in those areas.

## Cleaning Pattern



### OVERLAP HALF THE PREVIOUS PATH

The carpet may need to be brushed with a groomer after cleaning to remove any swirling patterns, which could be left by the cleaning heads.

**DO NOT** over-tilt this tool to the left or right when moving, this may damage the surface that you are cleaning.

**DO NOT** operate this tool on a dry carpet. This may cause damage to the carpet fibers due to dry friction.



**WARNING:**  
**OBSERVE THE FOLLOWING**  
**CAUTIONS WHEN CLEANING**  
**CARPET:**

1. **DO NOT** operate this tool over metal floor moldings. This will result in damage to the molding and the cleaning heads.
2. **DO NOT** operate this tool on concrete floors. This will cause damage to the cleaning heads.
3. **DO NOT** operate this tool over the edge of a loose carpet. This will result in damage to this tool and to the carpet.
4. **DO NOT** operate this tool over unraveled, damaged, or loose carpet seams. The cleaning heads may get caught and create further damage.
5. **DO NOT** operate this tool on hardwood floors.
6. **DO NOT** operate this tool on old, rubber backed, glued-down carpets which may be de-laminating. This may cause more de-lamination.
7. **DO NOT** operate this tool over metal door thresholds. This will result in damage to the threshold and the cleaning heads.

# **SECTION 3: ROUTINE MAINTENANCE**

**DAILY MAINTENANCE**\_\_\_\_\_13

**VACUUM HEADS**\_\_\_\_\_14



## DAILY MAINTENANCE

This tool, if properly maintained, will have a long and trouble-free life. We recommend that you make maintenance a part of your daily work schedule.

The following functions should be performed at the end of each working day or as noted:



### CAUTION:

Disconnect this tool from high-pressure hose and unplug power cord before servicing or making any repairs.

1. Inspect the power cord **daily** for any sign of damage. If damage is found, replace the cord.
2. Inspect the high-pressure hoses **daily** for any damage. If hoses show any signs of damage or impending rupture, **replace the hose**.



### CAUTION:

**DO NOT attempt to repair high-pressure hoses! Repairing high-pressure hoses may result in severe burns and serious injury!**

3. Inspect the vacuum hose **daily** for and damage, breaks, or tears. Repair or replace the hose, if necessary.
4. Inspect the Power Glide Cleaning Tool **daily** for any signs of damage or leaks. Repair, if necessary.

Rinse out any debris that may have accumulated underneath.

5. Check spray tips **daily**. Clean spray tips, if plugged.

6. Remove any debris in the valve strainer **daily**, or as often as necessary.
7. **Monthly** or as often as necessary, clean out any debris which may be in the vacuum tubing and hose.
8. **Monthly** or as often as necessary, remove heads and clean out any debris which may have lodged in vacuum adapters or wrapped around solution tube.

**NOTE:** See the following page on removing, cleaning and re-installing the vacuum heads.

9. **Weekly** or as often as necessary, lubricate the bearings with high temperature transparent grease. (Husky #LVI-50 or equivalent).

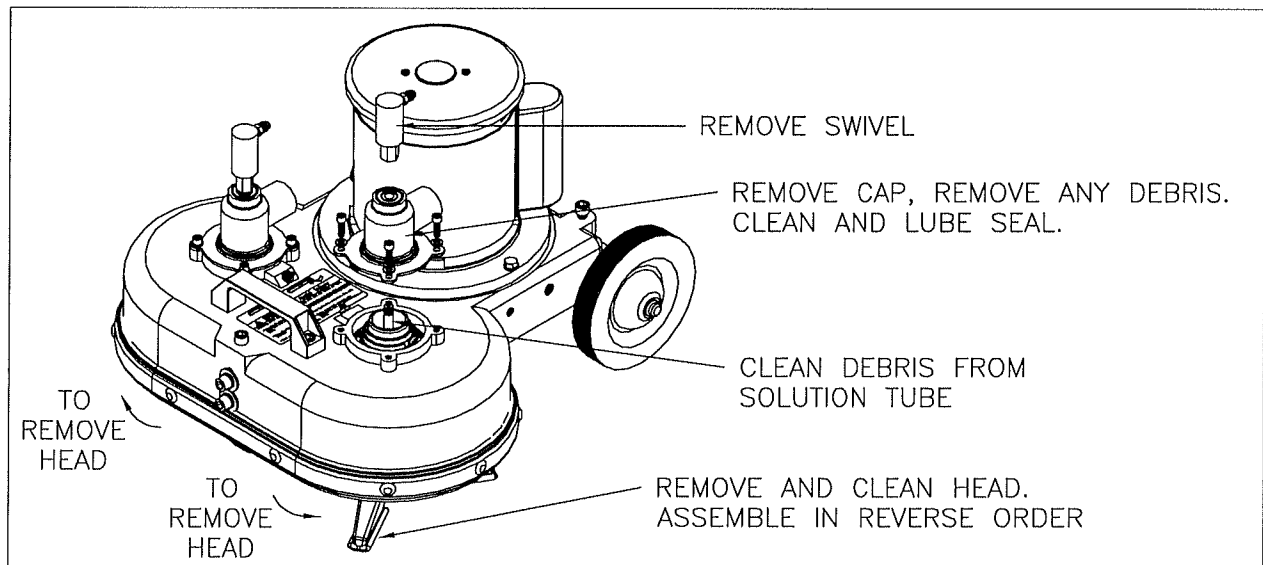
## VACUUM HEADS

### TOOLS REQUIRED:

5/8" Combination wrench  
 Mallet, rubber or wood  
 Teflon sealing tape  
 WD-40 or equivalent  
 3/16 Allen wrench

When removing the vacuum heads for cleaning or repair, be sure the unit has been disconnected from power and any excess debris has been cleaned away from in the head cavity.

1. Remove the swivel and remove any Teflon sealant tape left remaining on the solution tube threads.
2. Remove the screws holding the vacuum cap. Lift the cap up and away. The hose does not have to be removed.
3. Clean any debris and fibers that have wrapped around the solution tube. Clean the cap of any debris. Take care when cleaning the seal so as not to damage it.
4. direction as rotation (see illustration).
5. Clean out any debris that may have clogged the vacuum inlets on the head. Using a clean rag and some WD-40, clean the threads on the head. Also clean the threads on the vacuum adapter.
6. Reinstall the vacuum head hand tight. It may require some tapping with a mallet until the head bottoms on the vacuum adapter. **DO NOT** force the head on. See page ?? for alignment of heads.
7. Lubricate the seal in the vacuum cap and reinstall cap.
8. Put some Teflon sealant tape on the solution tube threads and reinstall the swivel.
9. Connect the unit to a machine and check for leaks.



# **SECTION 4: TROUBLESHOOTING**

**TROUBLESHOOTING** \_\_\_\_\_ **16-17**

**WARNING:**

Before attempting any repairs or maintenance, be sure unit is shut-off and disconnected from power source and high pressure hoses.

**TROUBLESHOOTING**

Most problems are simple and easily corrected. Check the easiest and obvious things first, and work to correct the problem. After a problem has been corrected, be sure to locate and correct the cause of the problem so that it won't happen again.

Use the troubleshooting guide on the next page to assist you in problem solving. If the information in this manual does not address your particular problem, contact the nearest PROCHEM dealer and/or service center for help. **DO NOT** attempt repairs you do not understand.

# SPECIFIC PROBLEMS

## 1. LOSS OF VACUUM

*While cleaning, the vacuum is not up to par.*

PROBABLE CAUSES	CORRECTIVE ACTION
Vacuum hose(s) is damaged, causing a suction leak.	Inspect the vacuum hose(s). Repair or replace.
Restricted air flow.	Check for obstructions in vacuum tubes.
Low vacuum flow from cleaning unit.	Refer to troubleshooting section in equipment manual.

## 2. LOW WATER FLOW AT CLEANING HEADS

*Irregular water temperature or streaking on carpet.*

PROBABLE CAUSES	CORRECTIVE ACTION
Restricted flow in spray tips.	Remove tips and clean or replace.
Clogged solution strainer.	Remove strainer and clean or replace.
Kinked or clogged solution hose(s).	Inspect solution hose(s). Repair or replace.
Solution tube between swivel and head leaking.	Remove head, reseal and re-tighten solution tube.
Water leak at solution valve.	Repair or replace solution valve.

## 3. UNIT DOES NOT OPERATE WHEN CONNECTED TO POWER

PROBABLE CAUSES	CORRECTIVE ACTION
Ground fault circuit interrupter has tripped.	Reset GFCI on power cord.
Overloading power source.	Locate an unused power source.
Microswitch is not operating.	Replace microswitch.
Faulty unit wiring.	Inspect unit wiring for bad connection. Inspect twist lock electrical power connector wiring. Repair as needed.
Motor fault.	Contact nearest PROCHEM service center.

**ILLUSTRATION INDEX**

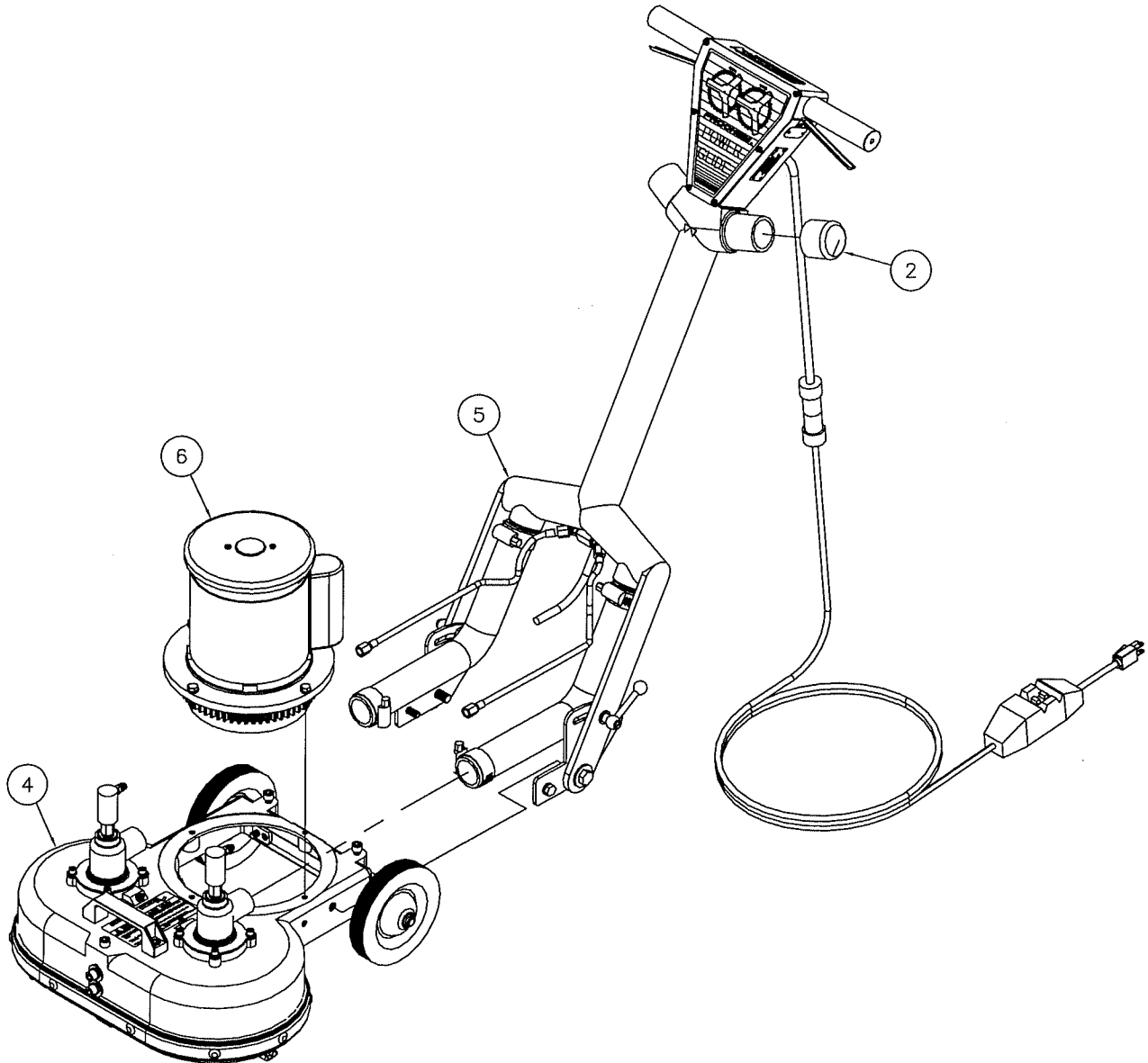
UNIT ASSEMBLY_____	A-1
DECK ASSEMBLY_____	A-2
MOTOR ASSEMBLY_____	A-3
HANDLE ASSEMBLY_____	A-4
LEFT HEAD ASSEMBLY_____	A-5
RIGHT HEAD ASSEMBLY_____	A-6
LEFT GEAR ASSEMBLY_____	A-7
RIGHT GEAR ASSEMBLY_____	A-7
SOLUTION VALVE ASSEMBLY_____	A-8
FRONT WHEEL ASSEMBLY_____	A-8
VACUUM HEAD DETAIL_____	A-9
WIRING DETAIL_____	A-9
NOTES _____	A-10

# UNIT ASSEMBLY

## 60-950465

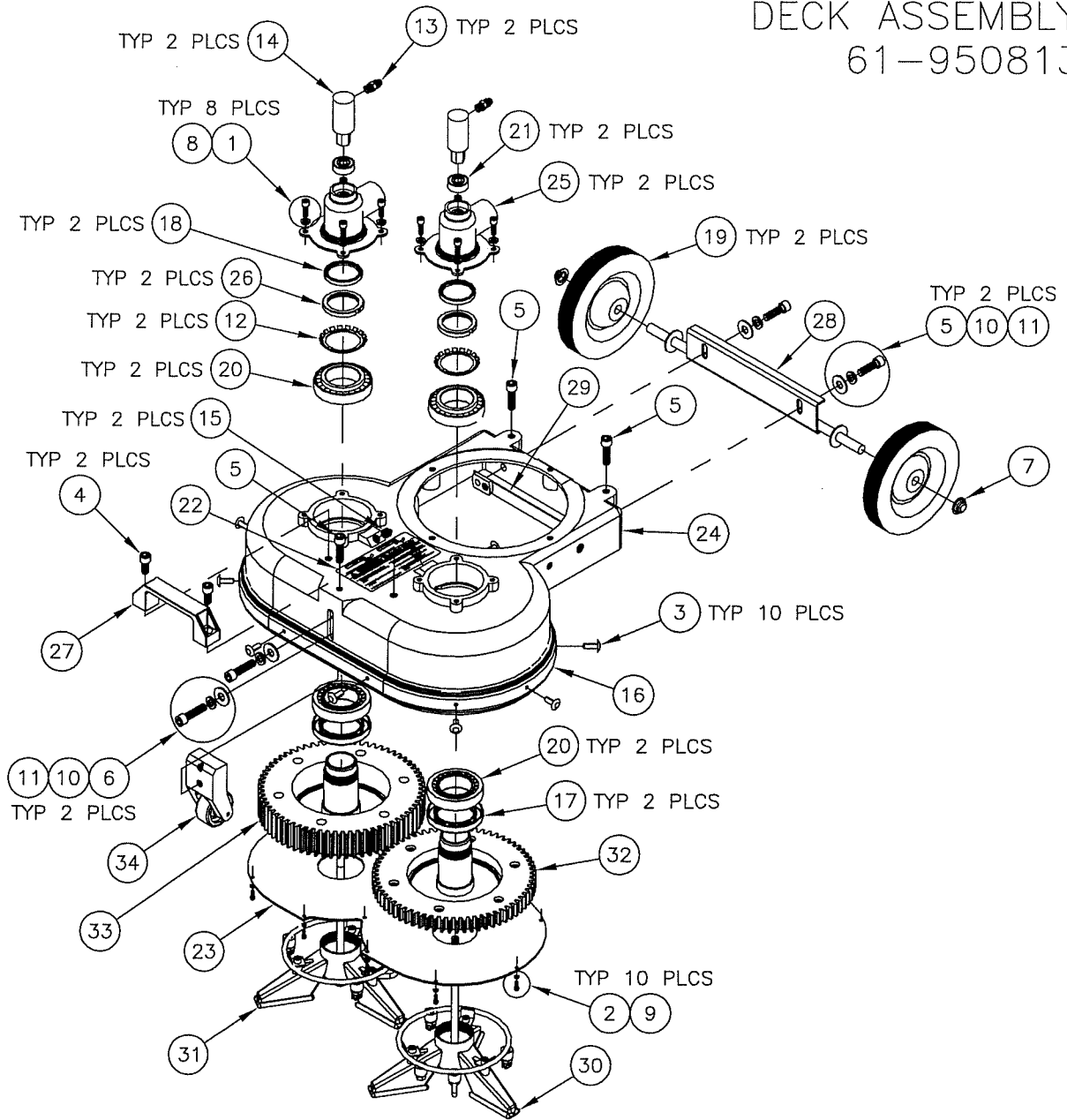
**NOTES:**

1. ITEM NUMBERS 1, 3, 7, 8 & 9 NOT SHOWN.



1. 04-000318....WRENCH, 5/16 LG ARM'L'ALN
2. 04-000329....CAP, VAC UPR&LWR
3. 48-941296....LABEL, INSPECTION QC (PINK)
4. 61-950813....ASSY, DECK
5. 61-950814....ASSY, HANDLE
6. 61-950815....ASSY, GEARBOX & PLANETARY
7. 67-945313....CARD, WARRANTY & REGISTRATION
8. 67-945371....MANUAL, INSTRUCTION
9. 90-009051....BOX, 26-3/4x19-1/2x46

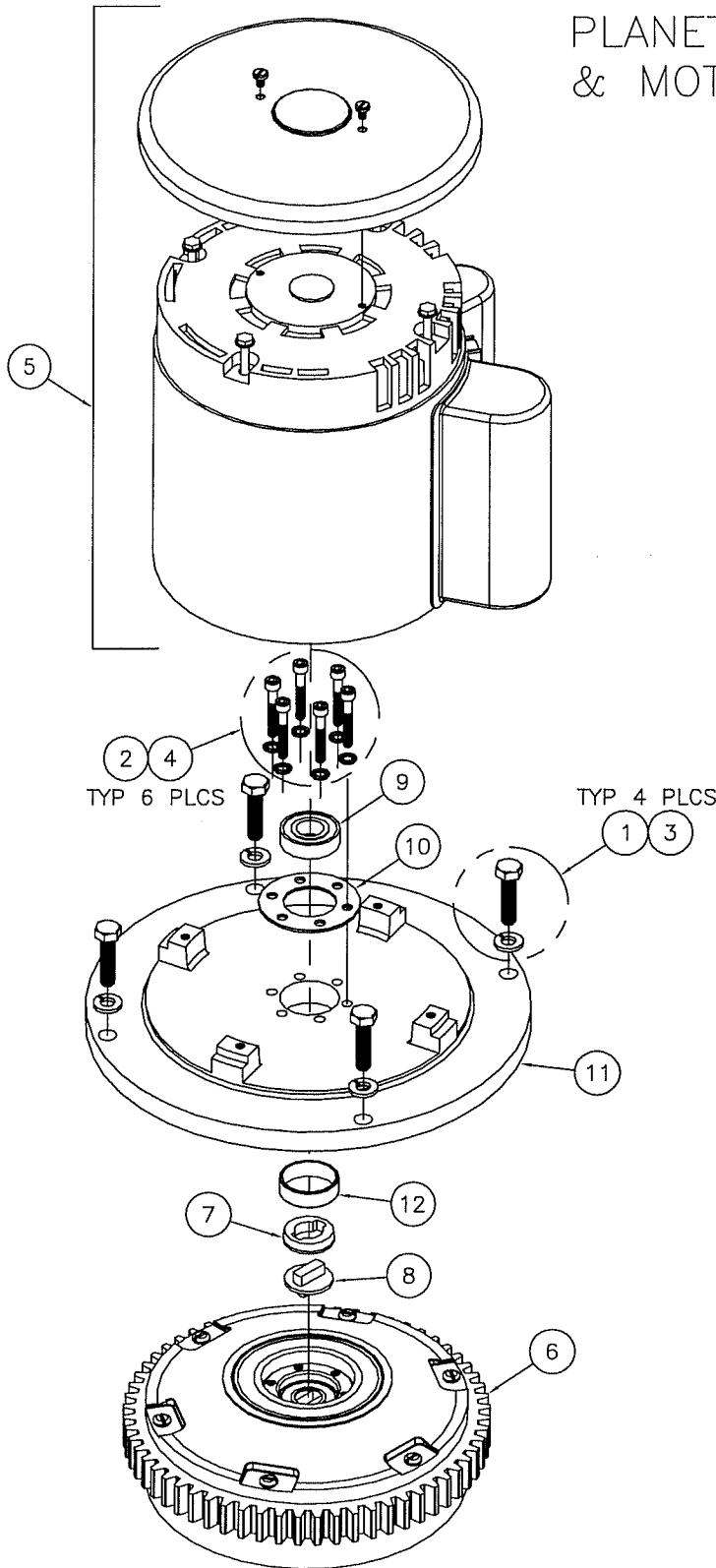
# DECK ASSEMBLY 61-950813



- |   |                                     |
|---|-------------------------------------|
| 1. 00-000210....SCR, MACH 1/4-20 x 3/4 SOCHD SST  | 18. 43-810088....SEAL, CAP          |
| 2. 00-000307....SCR, CAP 6-32 x 3/8 SOCHD SST     | 19. 45-801915....WHEEL, 6"          |
| 3. 00-000350....RIV, 1/4 x 3/4 PLASTIC            | 20. 45-802179....BEARING, HEAD      |
| 4. 00-000373....SCR, CAP 3/8-16 x 3/4 SOCHD SST   | 21. 45-802180....BEARING, CAP       |
| 5. 00-000419....SCR, CAP 3/8-16 x 1-1/4 SOCHD SST | 22. 48-941260....DEC, ROTATING HEAD |
| 6. 00-000434....SCR, CAP 3/8-16 x 1-1/2 SOCHD SST | 23. 50-501785....SHIELD, GEAR       |
| 7. 01-000278....NUT, HUB                          | 24. 52-501719....DECK, POWERGLIDE   |
| 8. 02-000044....LKWSR, 1/4 SST                    | 25. 52-501720....CAP, POWERGLIDE    |
| 9. 02-000284....LKWSR, #6 SST                     | 26. 52-501728....NUT, BRG RET       |
| 10. 02-000285....LKWSR, 3/8 SST                   | 27. 52-502039....HDL, DRILLED       |
| 11. 02-000293....FLTWSR, 3/8 SST                  | 28. 56-502119....ASSY, AXLE WHL ADJ |
| 12. 04-000305....RET, BRG NUT                     | 29. 56-502139....PL, NUT WHL ADJ    |
| 13. 12-800065....CONN, 1/8P x 1/4T BR             | 30. 61-950818....ASSY, L HEAD       |
| 14. 15-808122....VLV, SWIVEL                      | 31. 61-950819....ASSY, RT HEAD      |
| 15. 19-800314....FTTG, GREASE 3/16D x 1/8P        | 32. 61-951098....ASSY, L GEAR       |
| 16. 27-100227....BMPPR, TRIM 48" (BLU/WHT)        | 33. 61-951099....ASSY, RT GEAR      |
| 17. 43-810085....SEAL, LWR                        | 34. 61-951248....ASSY, WHL FR       |



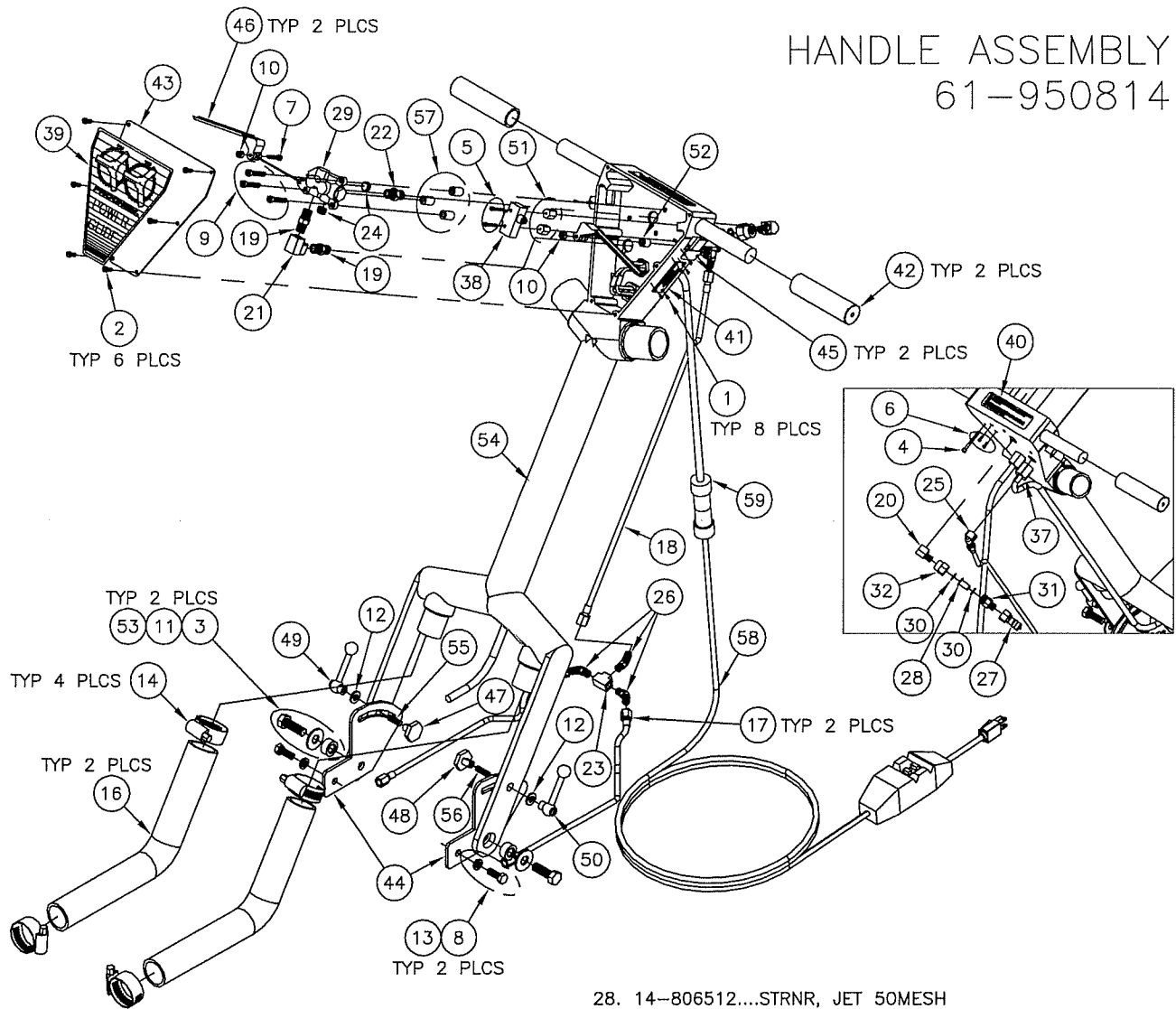
# PLANETARY GEARBOX & MOTOR ASSEMBLY 61-950815



- 1. 00-000187....SCR, CAP 5/16-18 x 1-1/4 HXHD SST
- 2. 00-000381....SCR, CAP 10-32 x 1-1/4 SOCHD
- 3. 02-000040....LKWSR, 5/16
- 4. 02-000287....LKWSR, #10 INT STAR
- 5. 40-902142....MOTOR, .6HP 110/220V LEESON
- 6. 42-902366....GEARBOX, PLANETARY

- 7. 42-902371....RET, CPLG
- 8. 42-902372....COUPLING
- 9. 45-802182....BEARING, MOTOR
- 10. 50-501838....PLATE, RETAINER
- 11. 52-501773....PLATE, MOTOR MTG
- 12. 54-501672....SPCR, DRV ADPT

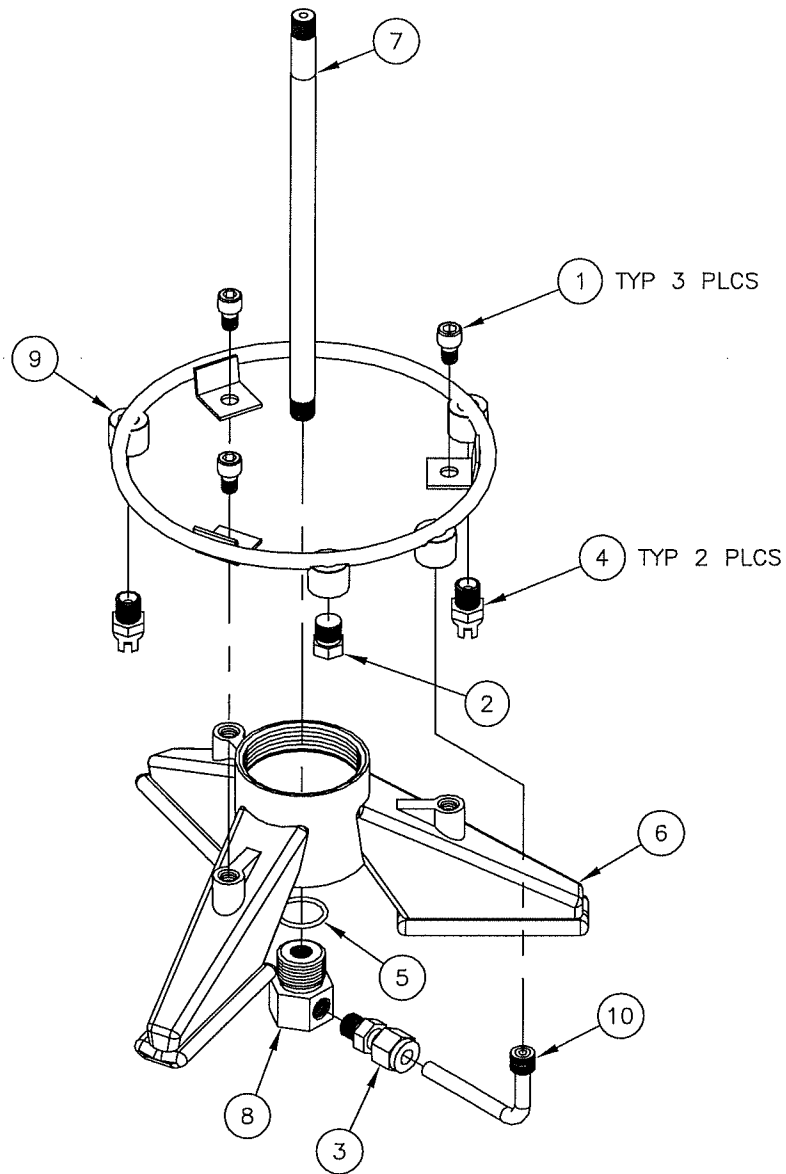
# HANDLE ASSEMBLY 61-950814



- 1. 00-000015....SCR, DRV .098D x 3/16
- 2. 00-000071....SCR, MACH 10-24 x 1/2 SOCHD SST
- 3. 00-000201....SCR, CAP 1/2-13 x 1-1/2 HXHD
- 4. 00-000241....SCR, CAP 10-32 x 2 SOCHD SST
- 5. 00-000306....SCR, CAP 6-32 x 1 SOCHD SST
- 6. 00-000307....SCR, CAP 6-32 x 3/8 SOCHD SST
- 7. 00-000337....SCR, CAP 10-32 x 1 SOCHD SST
- 8. 00-000361....SCR, CAP 3/8-16 x 1 HXHD SST
- 9. 00-000399....SCR, CAP 1/4-20 x 1-3/8 SOCHD SST
- 10. 01-000241....LKNUT, 10-32 HXHD SST
- 11. 02-000058....FLTWSR, 1/2
- 12. 02-000143....FLTWSR, 5/16
- 13. 02-000285....LKWSR, 3/8 SST
- 14. 03-000110....CLMP, HOSE #24
- 15. 04-000094....TIE, CABLE 13" BLK
- 16. 09-805455....HOS, VAC 1-1/2 x 15-1/2 CLEAR
- 17. 10-805288....HOS, 3/16 x 17 (1/4FT BS) MET
- 18. 10-805427....HOS, 3/16 x 22-1/2 (1/4FT BS) MET
- 19. 11-800029....NIP, 1/4 HX BR
- 20. 11-800045....ELL, ST 1/4 BR
- 21. 11-800047....ELL, 1/4 BR
- 22. 11-800128....NIP, 1/4 HX SST
- 23. 11-800133....TEE, 1/8 BR
- 24. 11-800345....PLG, 1/4 SOCHD BR
- 25. 12-800035....ELL, 1/4FP x 1/4T BR
- 26. 12-800261....ELL, 1/8P x 1/4T 45DEG BR
- 27. 13-806000....DSC, 1/4M x 1/4FP BR

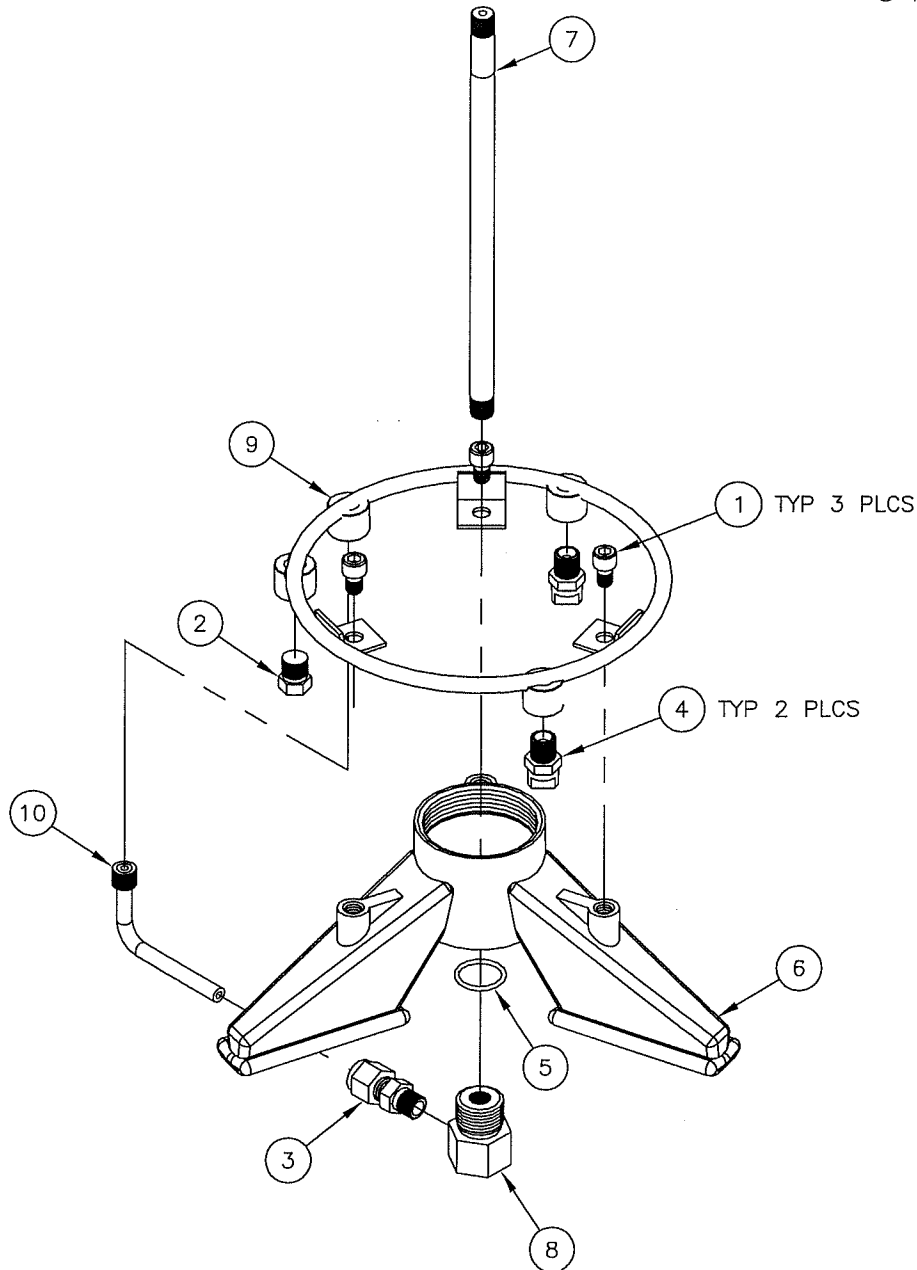
- 28. 14-806512....STRNR, JET 50MESH
- 29. 15-808121....ASSY, SOL VLV
- 30. 17-803006....WSR, NYL SPRY TIP
- 31. 17-803010....CONN, 1/4MP x 11/16-16M
- 32. 17-803036....CONN, 1/4FP x 11/16-16F BR
- 33. 30-900123....WIR, 14AWG SAE GPT BLK
- 34. 31-900005....TERM, RNG 14-16WIR 8-10BLT
- 35. 31-900027....TERM, INS DSC 1/4F 14-16WIR
- 36. 31-900028....TERM, INS DSC 1/4M 14-16WIR
- 37. 31-900194....CONN, CD STRNR REL 1/2P (PLASTIC)
- 38. 35-900180....SW, MICRO
- 39. 48-941233....DEC, PWRGLIDE
- 40. 48-941259....DEC, GFI PLUG PWRGLIDE
- 41. 48-941387....PL, SER PWRGLIDE W/PATENT 120V
- 42. 49-802527....GRIP, RUB
- 43. 50-501781....CVR, HDL ADJ PWRGLIDE
- 44. 50-501837....BRKT, HDL ADJ PWRGLIDE
- 45. 50-502032....PL, LVR SUPT
- 46. 52-501718....LVR, VLV
- 47. 52-501729....HLDR, RT HDL ADJ LVR
- 48. 52-501730....HLDR, L HDL ADJ LVR
- 49. 52-501731....LVR, RT HDL ADJ
- 50. 52-501732....LVR, L HDL ADJ
- 51. 52-501744....SPCR, MICRO SW
- 52. 52-501763....SPCR, HDL
- 53. 52-501766....SPCR, HDL
- 54. 52-501869....HDL, UPR & LWR PWRGLIDE
- 55. 54-501656....RD, 5/16-18 x 31/32 (RT)
- 56. 54-501657....RD, 5/16-18 x 31/32 (L)
- 57. 54-501662....SPCR, VLV
- 58. 64-950565....CD, PWR PWRGLIDE
- 59. 64-950576....CD, INL PWR PWRGLIDE

# LEFT HEAD ASSEMBLY 61-950818



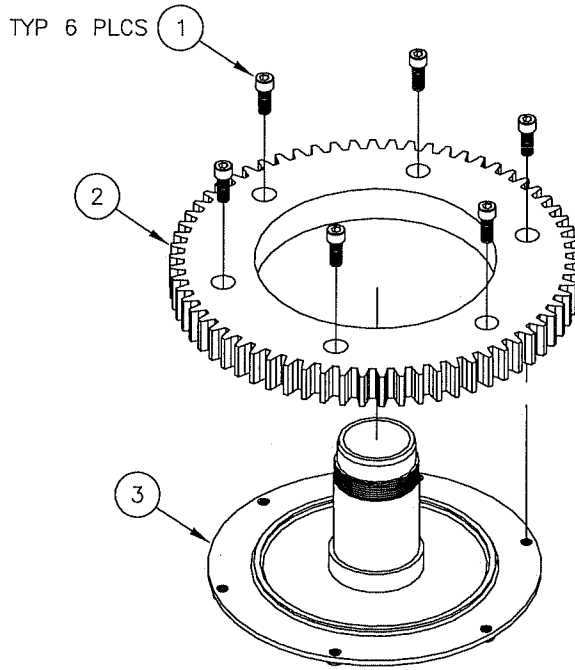
1. 00-000372....SCR, CAP 1/4-20 x 3/8 SOCHD SST
2. 11-800101....PLUG, 1/8 BR
3. 12-800322....CONN, 1/8P x 1/4T COMP BR
4. 17-803035....TIP, SPRAY 110015 1/8P SST
5. 43-810053....O-RING, .676ID x .816OD
6. 52-501721....HEAD, LEFT
7. 52-501725....TUBE, SOLUTION
8. 52-501726....MNFLD, SOLUTION TUBE
9. 56-502016....MNFLD, LEFT SPRAY
10. 56-502040....TUBE, MNFLD SUPPLY

RIGHT HEAD  
ASSEMBLY  
61-950819



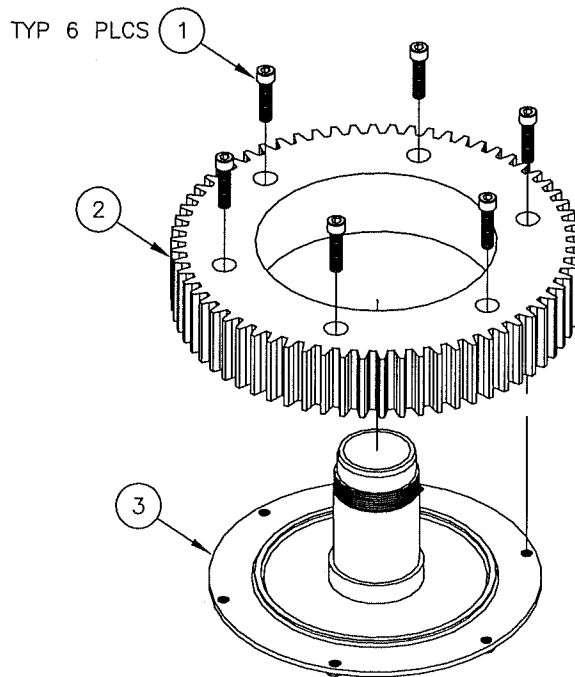
1. 00-000372....SCR, CAP 1/4-20 x 3/8 SOCHD SST
2. 11-800101....PLUG, 1/8 BR
3. 12-800322....CONN, 1/8P x 1/4T COMP BR
4. 17-803035....TIP, SPRAY 110015 1/8P SST
5. 43-810053....O-RING, .676ID x .816OD
6. 52-501722....HEAD, RIGHT
7. 52-501725....TUBE, SOLUTION
8. 52-501726....MNFLD, SOLUTION TUBE
9. 56-502039....MNFLD, RT SPRAY
10. 56-502040....TUBE, MNFLD SUPPLY

LEFT GEAR  
ASSEMBLY  
61-951098



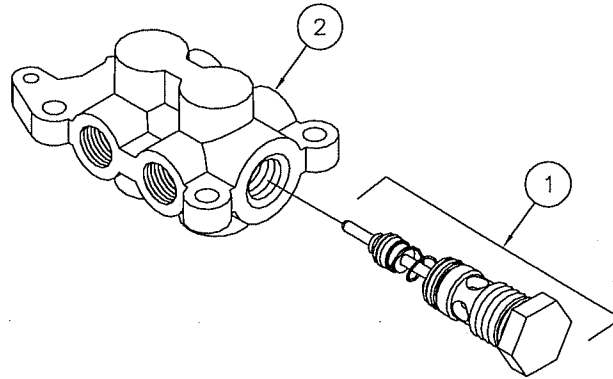
- 1. 00-000389....SCR, CAP 1/4-20 x 5/8 SOCHD SST
- 2. 44-802247....GEAR, LEFT
- 3. 52-501723....ADAPT, LEFT VAC

RIGHT GEAR  
ASSEMBLY  
61-951099



- 1. 00-000312....SCR, CAP 1/4-20 x 1 SOCHD SST
- 2. 44-802248....GEAR, DRIVE RIGHT
- 3. 52-501724....ADAPT, RIGHT VAC

## SOLUTION VALVE ASSEMBLY 15-808121

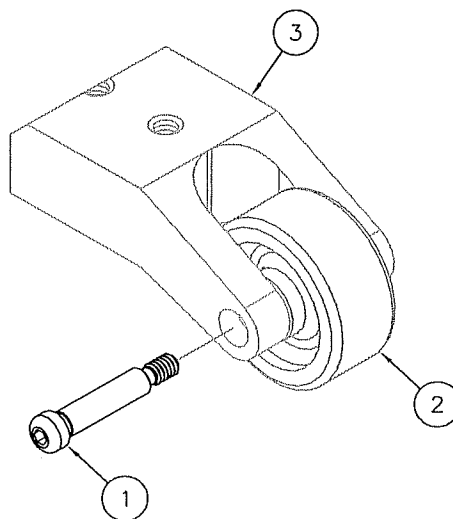


### NOTE:

1. 16-808230....KIT,REP-SOLUTION VALVE (SUTTNER)
2. 52-501717....BODY, SOLUTION VALVE

WHEN REBUILDING VALVE ASSEMBLY WITH NEW KIT,  
BE SURE TO REMOVE THE OLD SEAT.

## FRONT WHEEL ASSEMBLY 61-951248

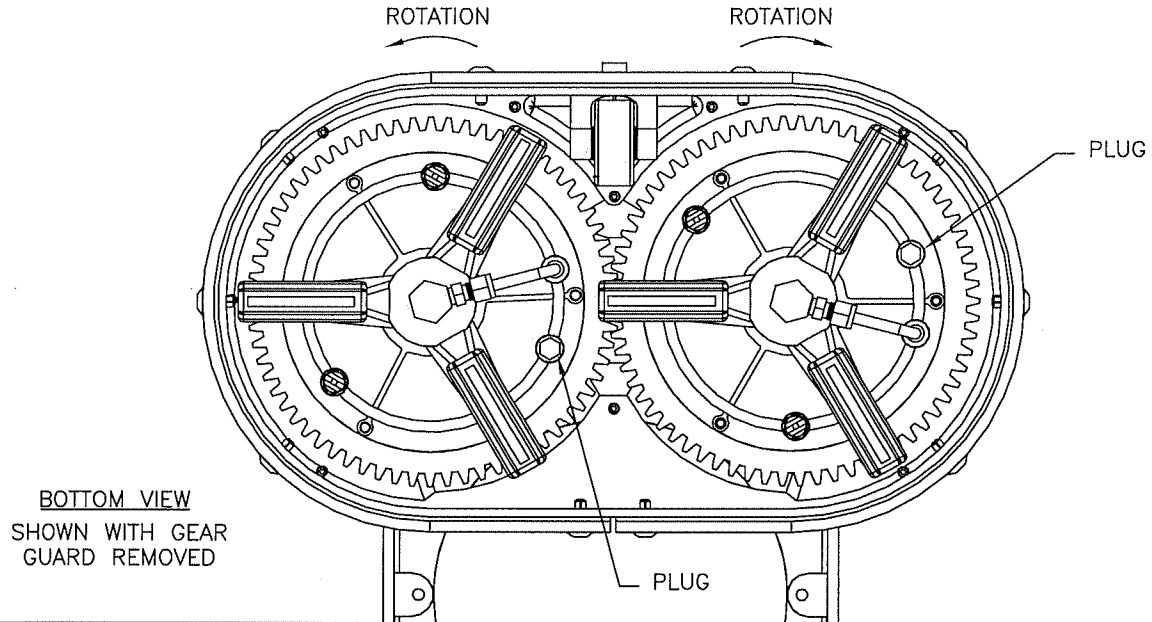


1. 00-000404....BLT, SHLDR 5/16x1-1/4 1-1/4THD SOCHD
2. 45-801924....WHEEL, 2"
3. 52-501765....HLDR, WHEEL

# VACUUM HEAD DETAIL

TO REMOVE HEAD, TAP WITH MALLET IN THE SAME DIRECTION AS ROTATION

WHEN ASSEMBLED, HEADS SHOULD BE POSITIONED AS SHOWN.



# WIRING DETAIL

